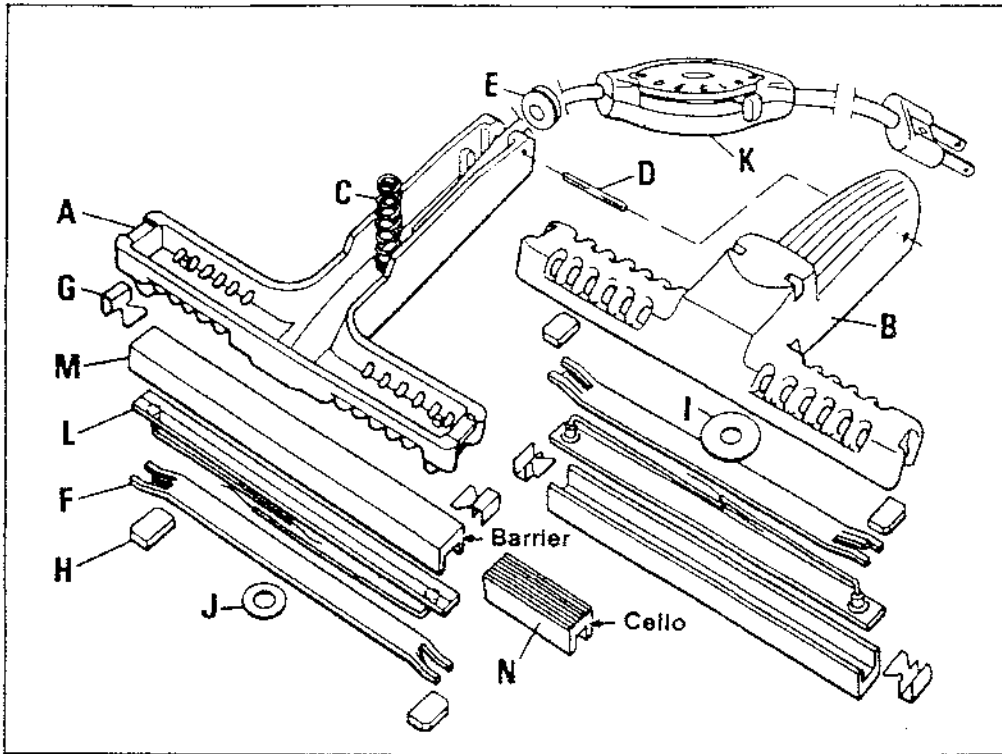


FUTURA PORTABLE HEAT SEALERS

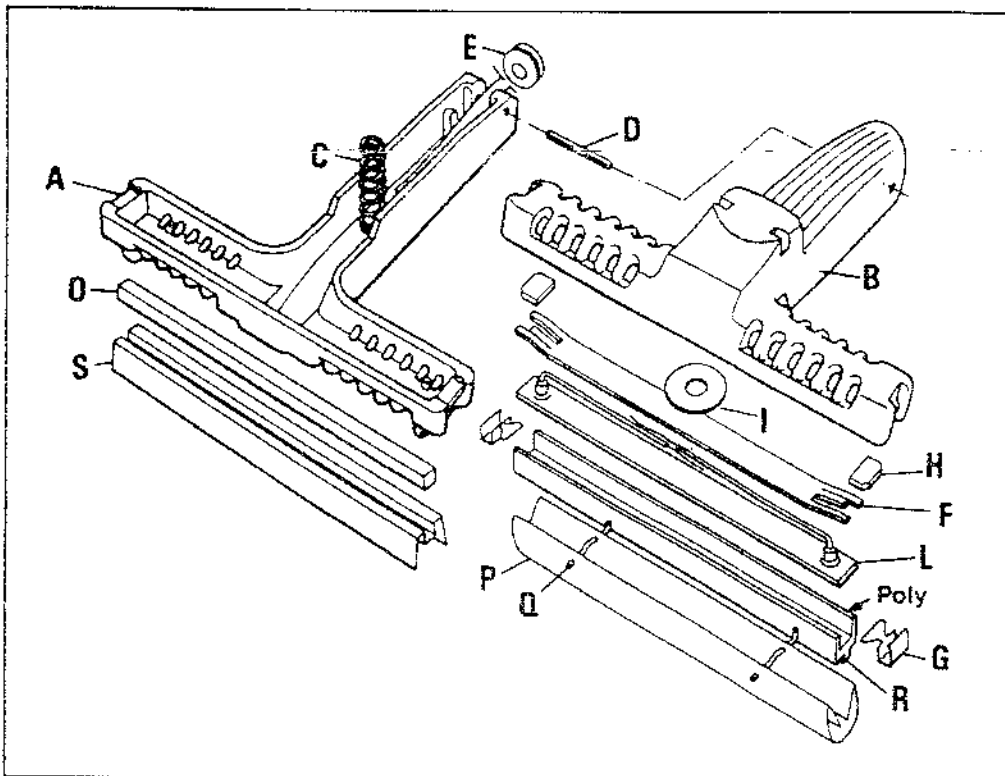


CELLO AND BARRIER MODELS

PARTS LIST

for all three models

	part no.:
A bottom housing	1011-1-1
B top housing	1011-1-2
C spring	1011-1-4
D pin	1011-1-5
E strain relief	1011-7-12
F element clamp	1011-5-3
G jaw clip	1011-5-1
H spacer	1011-5-2
I washer large	99-40-08A



POLY MODEL

for CELLO and BARRIER models only:

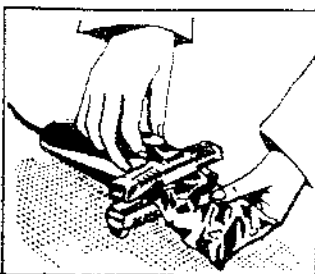
	part no.:
J washer small	99-40-08
K switch	1011-5-12
L element	1011-5-4B
M BARRIER jaw	1011-5-5A
N CELLO jaw	1011-5-5

for POLY model only:

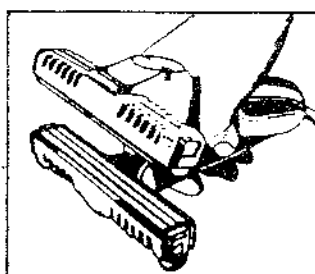
	part no.:
O silicone rubber	1011-7-8
P PTFE cover	1011-7-7
Q PTFE fasteners	1011-7-5
R POLY jaw	1011-7-6
S rubber holder	1011-7-9

suggested spare parts kit:

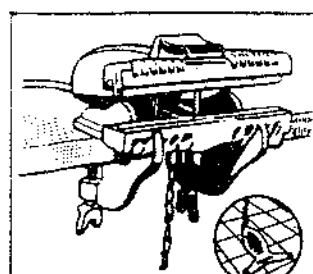
- 1 tube AUDIOCONE
- 1 PTFE cover
- 1 silicone rubber



Anywhere on a table



Anywhere by hand



By footpedal at the edge of a table

INSTRUCTIONS FOR FUTURA PORTABLE HEAT SEALERS THREE MODELS - CELLO, BARRIER AND POLY

Installation

1. All sealers are wired for 115 Volt, AC. There is a 10-15 minutes warm-up time.
2. Sealers can be used anywhere by hand, by hand on a table or by footpedal at the edge of table.

Operation

3. A few seal tests will show quickly how long the jaws should be closed for any given film. A good seal will obviously not come apart; by continued pulling the material will tear (break) at the edge of the seal, but the seal itself will stay intact. Light (thin) material will take less than a second; for heavier (thicker) materials the jaws should be kept closed longer.
4. A good seal on laminated material (made mostly on the CELLO or BARRIER model) might - during an extended pulltest - cause the lamination to come apart, but still the seal itself will stay intact.

Cello and Barrier models

5. The CELLO and BARRIER models are basically the same machine, with the exception of the jaws; CELLO has serrated jaws; BARRIER has flat jaws. Both are designed to seal cellophane, aluminium foil, waxed and coated papers, laminations and military specifications barrier materials (cloth-foil, kraft-foil and similar laminations, which require the BARRIER model with **flat** jaws). Maximum power consumption 50 Watts.

6. The CELLO and BARRIER models have a heat control switch in the line cord, with three settings:
 - I Low heat both jaws
 - II One jaw hot
 - III Both jaws hot

Normally setting I or II should be sufficient. This, however, depends upon the material thickness and production speed.

7. **Maintenance** - Keep the jaws clean; use a damp rag, dry fine steel wool or soft bristle brush. Apply daily a light coating of AUDIOCONE on the jaws. It prevents material from sticking and eliminates build-up of residual film on the brass jaws.

Poly Model

8. The POLY model has been specifically designed for thermoplastics, e.g. polyethylene, saran, polypropylene, p.v.c. and similar films. The element has fast heat recovery, keeping the temperature constant, making a thermostat unnecessary. Maximum power consumption 25 Watts.
9. **Maintenance** - Keep the PTFE cover and silicone rubber clean. Use a damp rag. Apply daily a light coating of AUDIOCONE on both PTFE and silicone rubber. It prevents material from sticking and eliminates build-up of residual film, extending lifespan of PTFE and silicone rubber at the same time.

WARRANTY

Packaging Aids Corporation warrants its equipment against defective material and workmanship for 90 days from delivery. We will repair or replace, at our option, free of charge, if delivered prepaid to our San Francisco address. Warranty does not apply to sealers that have been abused, misused or improperly repaired and it does not apply to the bakelite housings or to parts that are subject to normal wear and tear (teflon and silicone rubber).



Distributors in all major cities

PACKAGING AIDS CORPORATION

24 TIBURON STREET, SAN RAFAEL, CA 94901-4722, P.O. BOX 9144, SAN RAFAEL, CA 94912-9144
TELEPHONE: (415) 454-4868, TELEX: 340-598